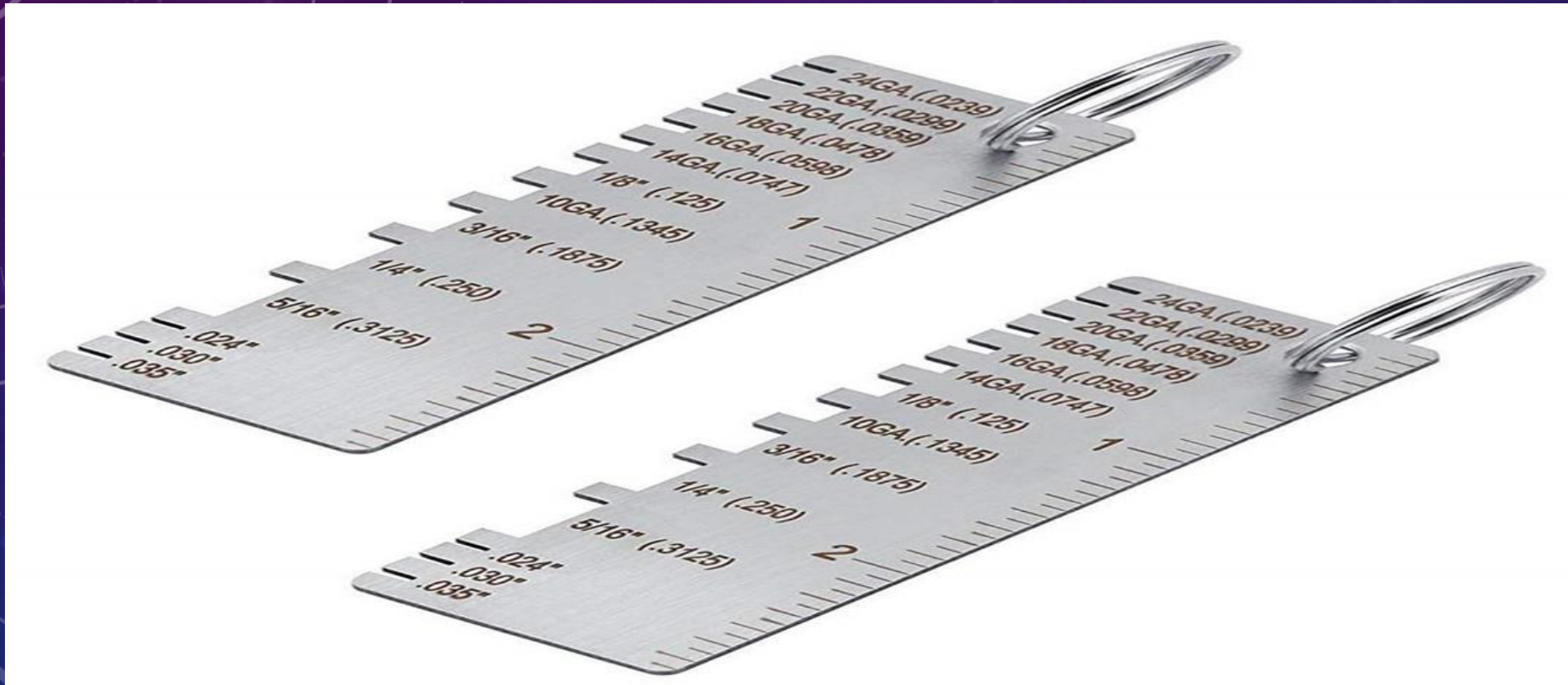
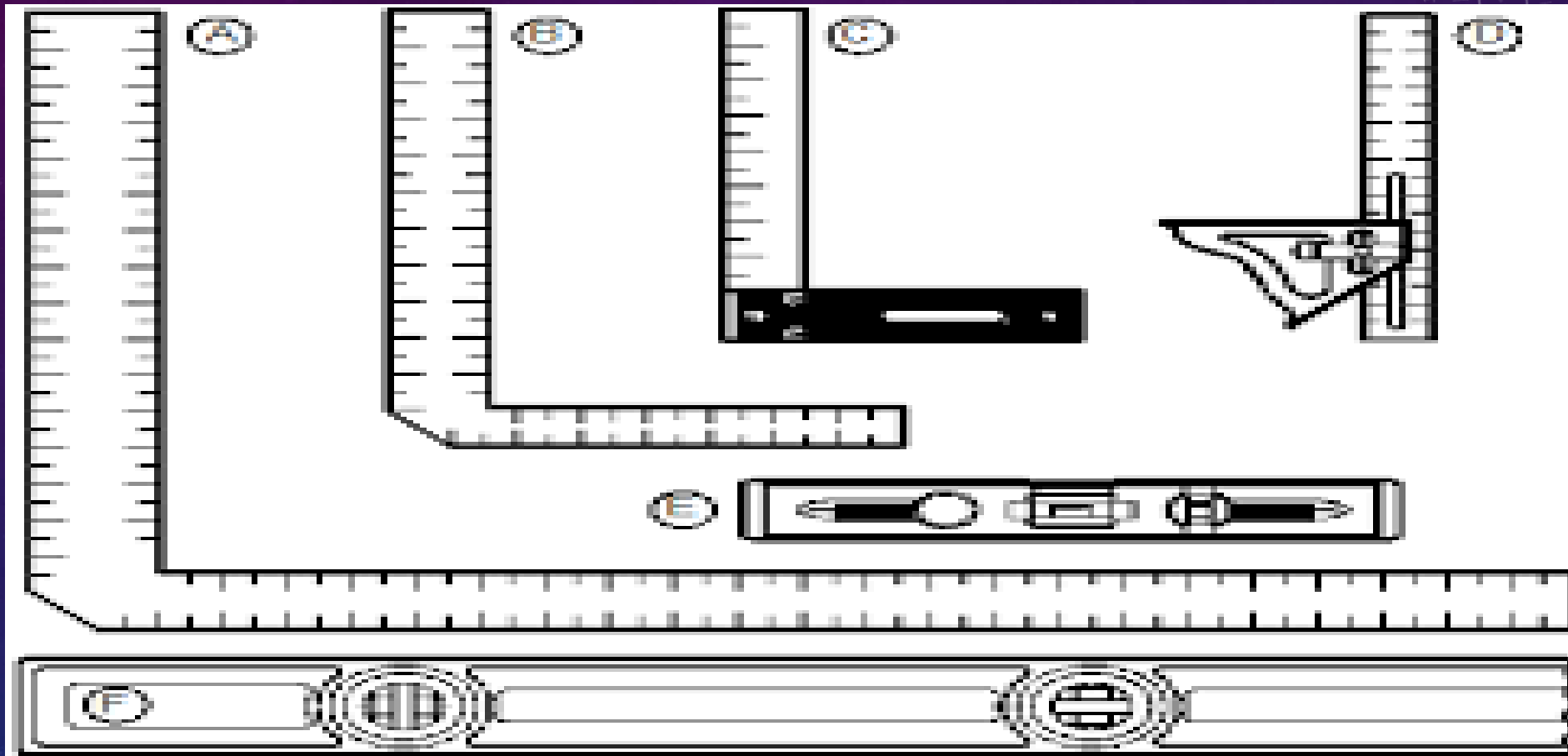


WELDING MEASUREMENT

SHEET THICKNESS GAUGE



TOOLS AND WELDING TABLES



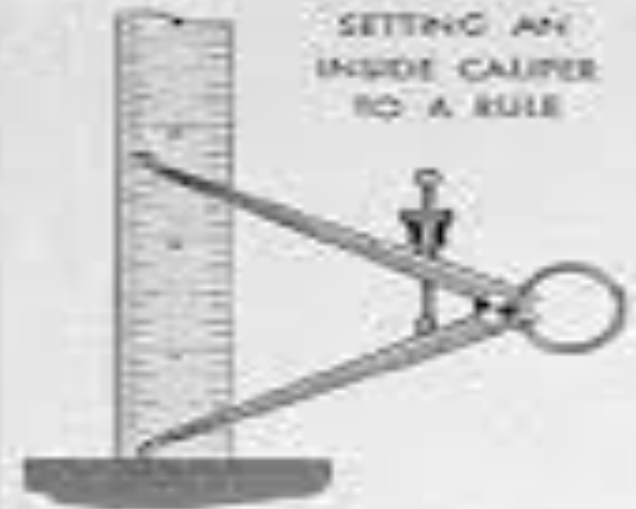
CALIPERS AND METHODS OF MEASUREMENT



USING THE INSIDE CALIPER



USING THE OUTSIDE CALIPER



SETTING AN
INSIDE CALIPER
TO A RULE



SETTING AN OUTSIDE
CALIPER TO A RULE

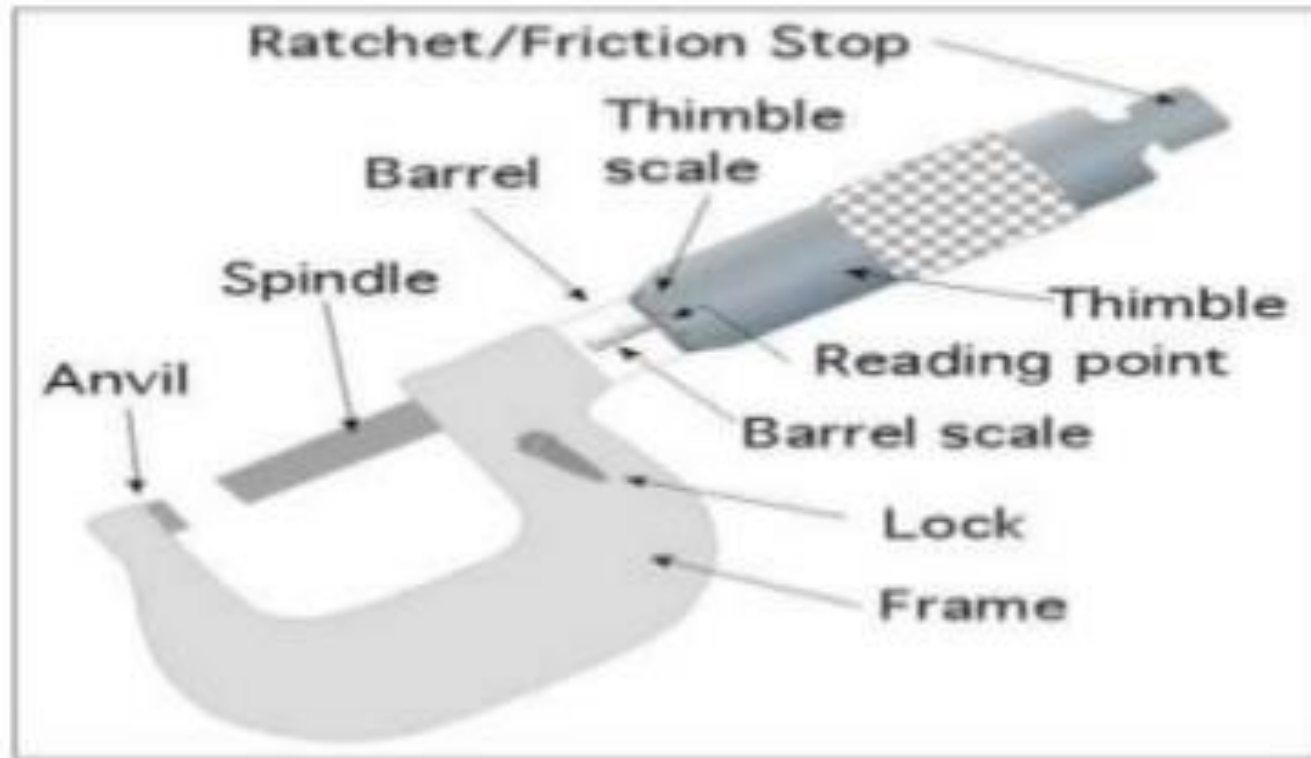


TRANSFERRING A
CALIPER SETTING
TO A MICROMETER



SETTING A
VERNIER CALIPER
TO A RULE

VERNIER CALIPER



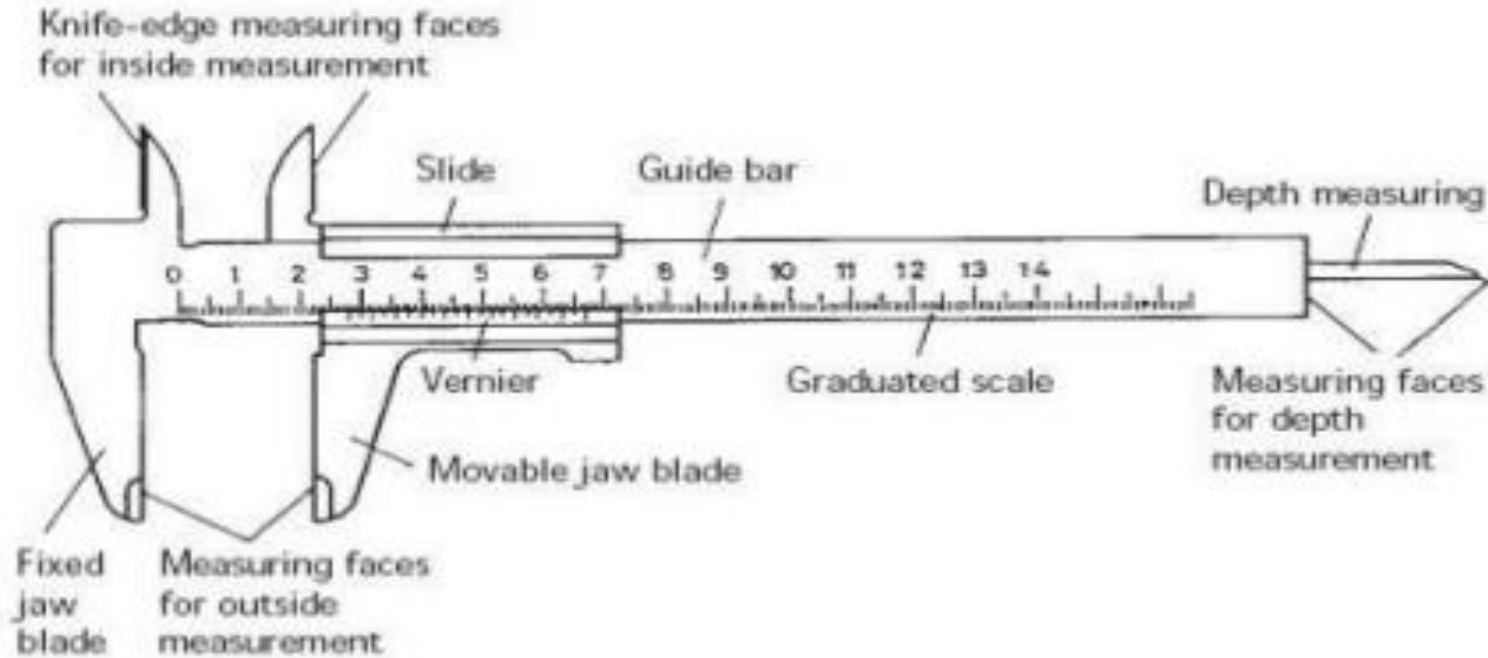
- **Vernier caliper** is a precision measuring instrument used to measure the inside, outside diameter, as well as depth of hole and slot.

MICROMETER CALIPER



□ **Micrometer caliper.** Is a precision measuring instrument used to measure dimensions in thousandths of an inch.

DIVIDERS

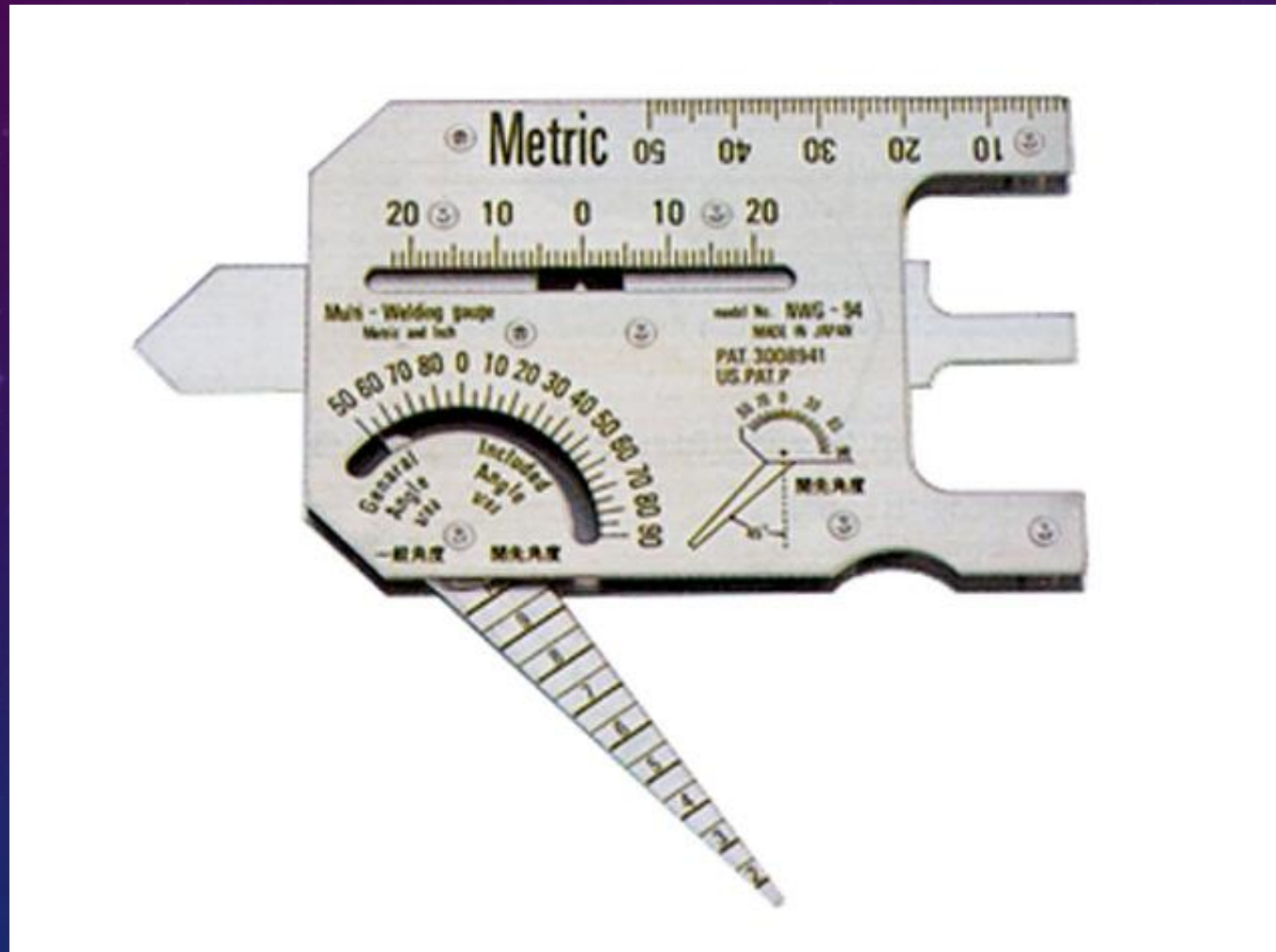


- **Dividers.** These are used for measuring or setting of distances, and to lay out arcs and circles.

BULK CHEAP LONG DISTANCE



WELDING GAUGES

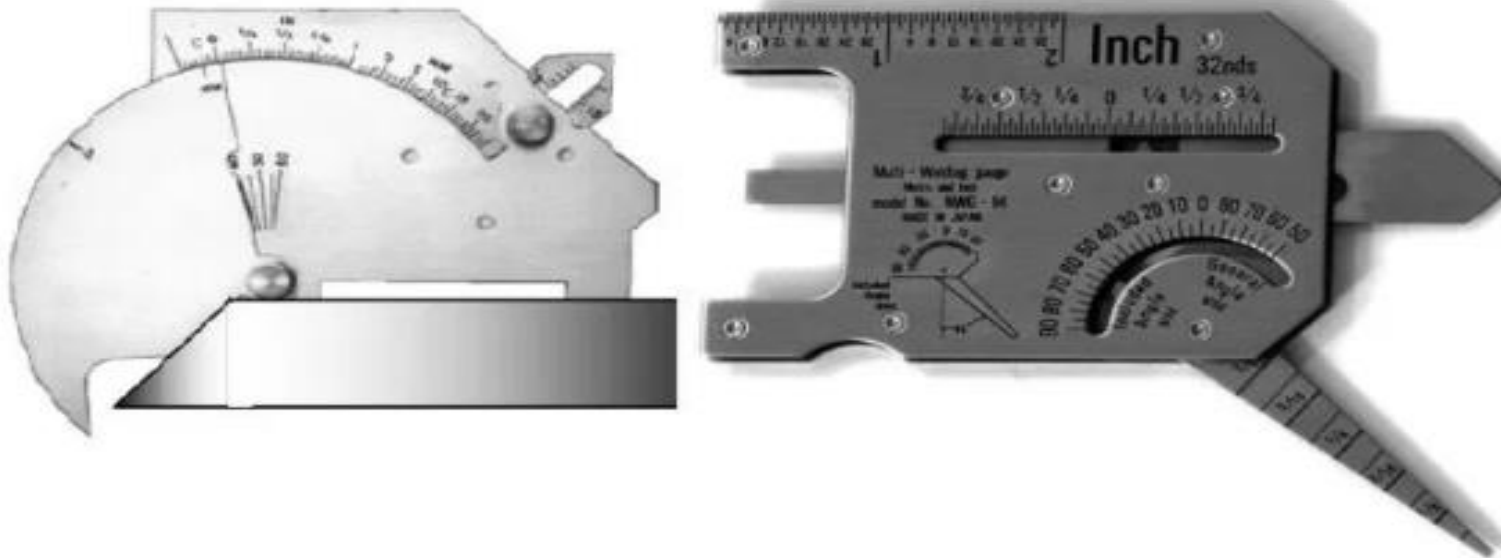


Fungsi *Welding Gauge*:

- Mengukur Sudut *Bevel*.
- Mengetahui Lebar *Root Gap*.
- Mengukur *Linier Misalignment*.
- Mengukur Tinggi Mahkota Las (*Capping*).
- Mengukur Tinggi *Root Penetration* (Penembusan akar las).
- Mengetahui Kedalaman Cacat Material (*Mechanical Damage*).
- Mengukur Kedalaman Cacat Las *Undercut*.
- Mengukur *Leg Length* pada *Fillet Weld*.
- Mengukur Aktual Throat (*Actual Throat Thickness*).

MENGUKUR SUDUT BEVEL.

**Cara Menggunakan Welding Gauge:
Mengukur Sudut Bevel.**



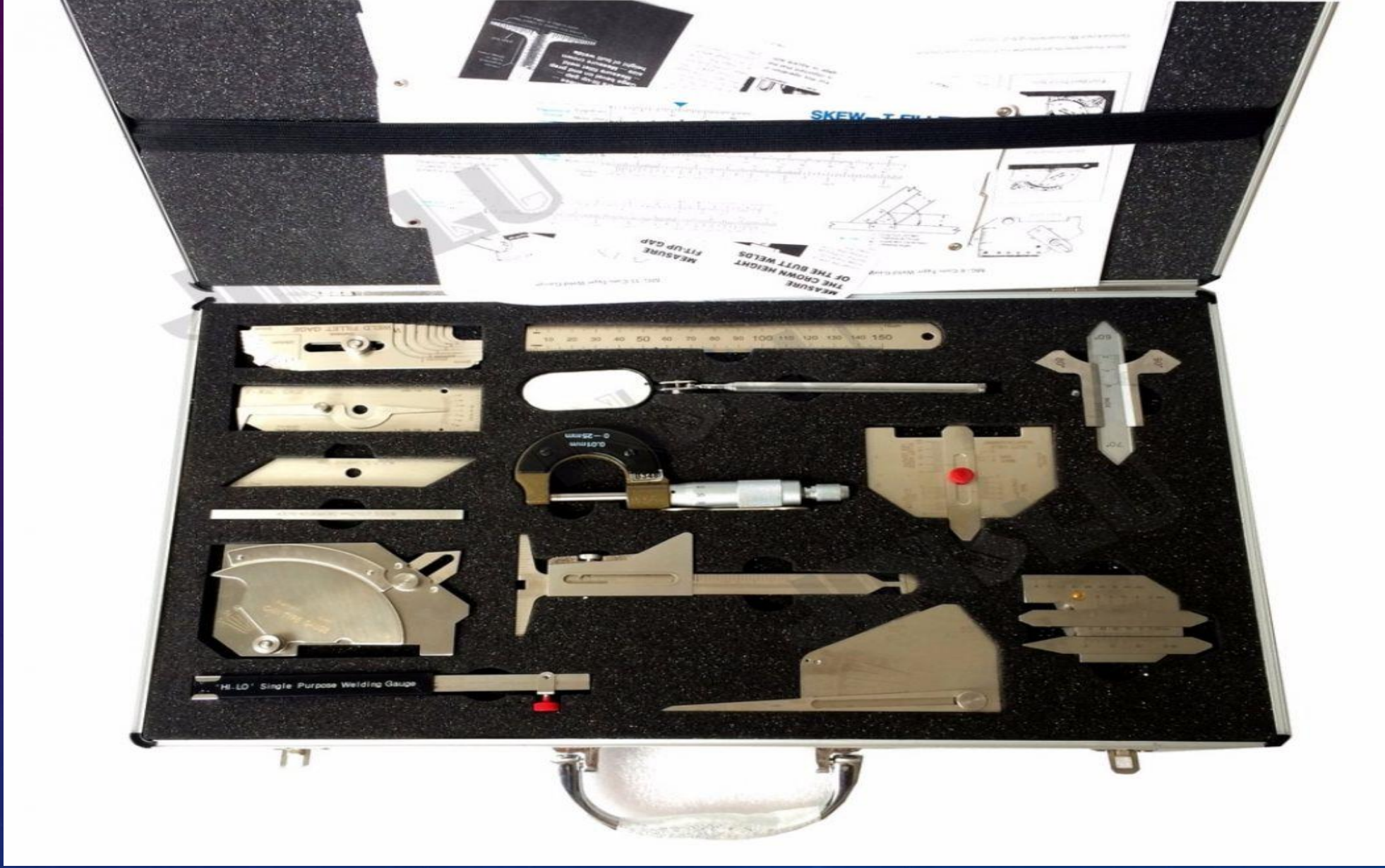
MACAM WELDING GAUGE



164



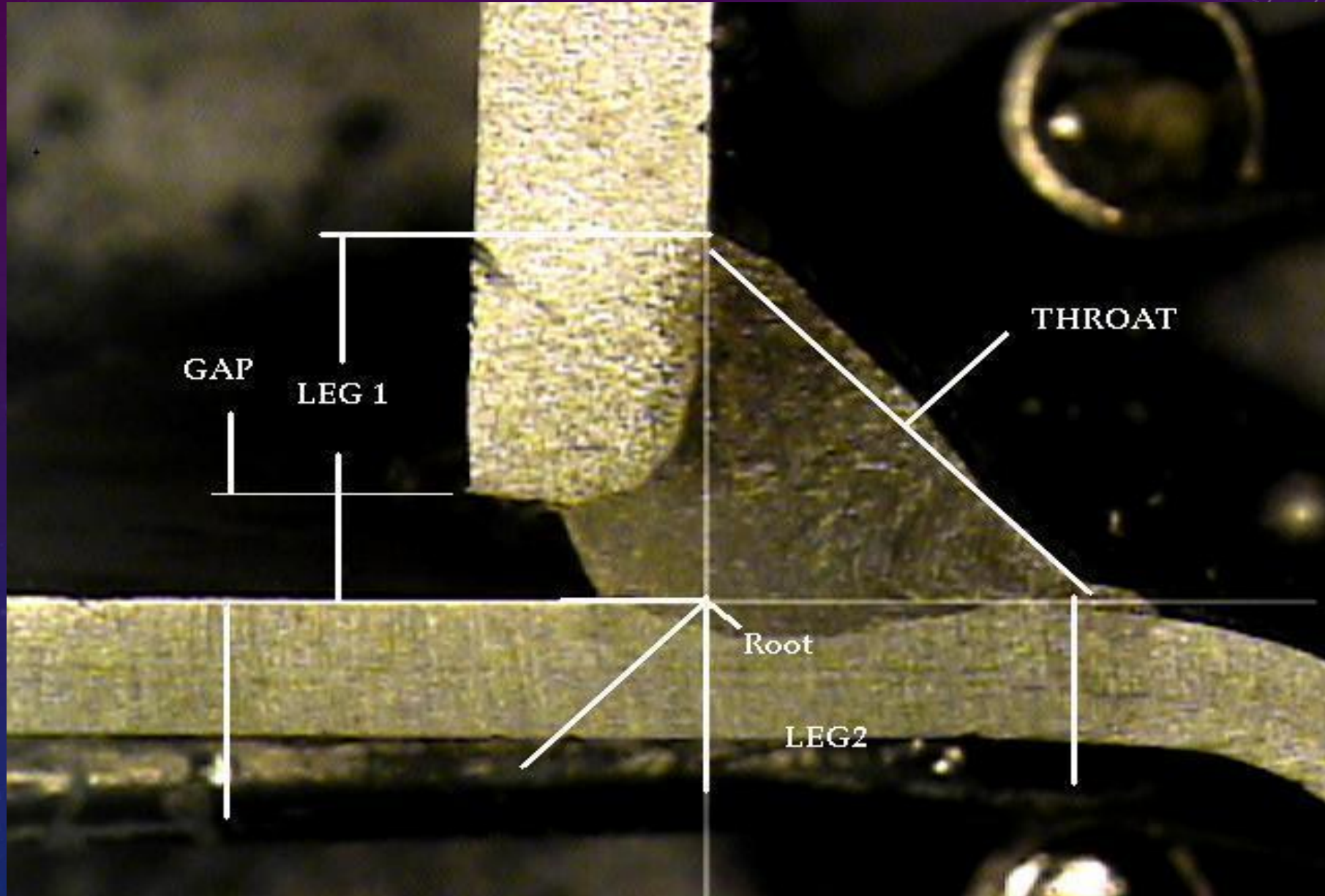




11



- FEELER GAGE
- PITCH GAGE
- RADIUS GAGE
- DIGITAL CHAMFER GAGE
- CHAMFER HEIGHT GAGE
- DIGITAL TAPER SLOT GAGE
- TAPER GAGE
- TAPER BORE GAGE
- WELDING GAGE
- INSIDE/OUTSIDE CALIPER
- MEASURING TAPE
- MEASURING WHEEL
- STEEL RULE
- COMBINATION SQUARE SET
- SCRIBING CALIPER
- SCRIBER
- MEASURING TOOL SET



PIPE GAUGE WELD LEVEL INSPECTION



TAPER FEELER GAUGE GAGE

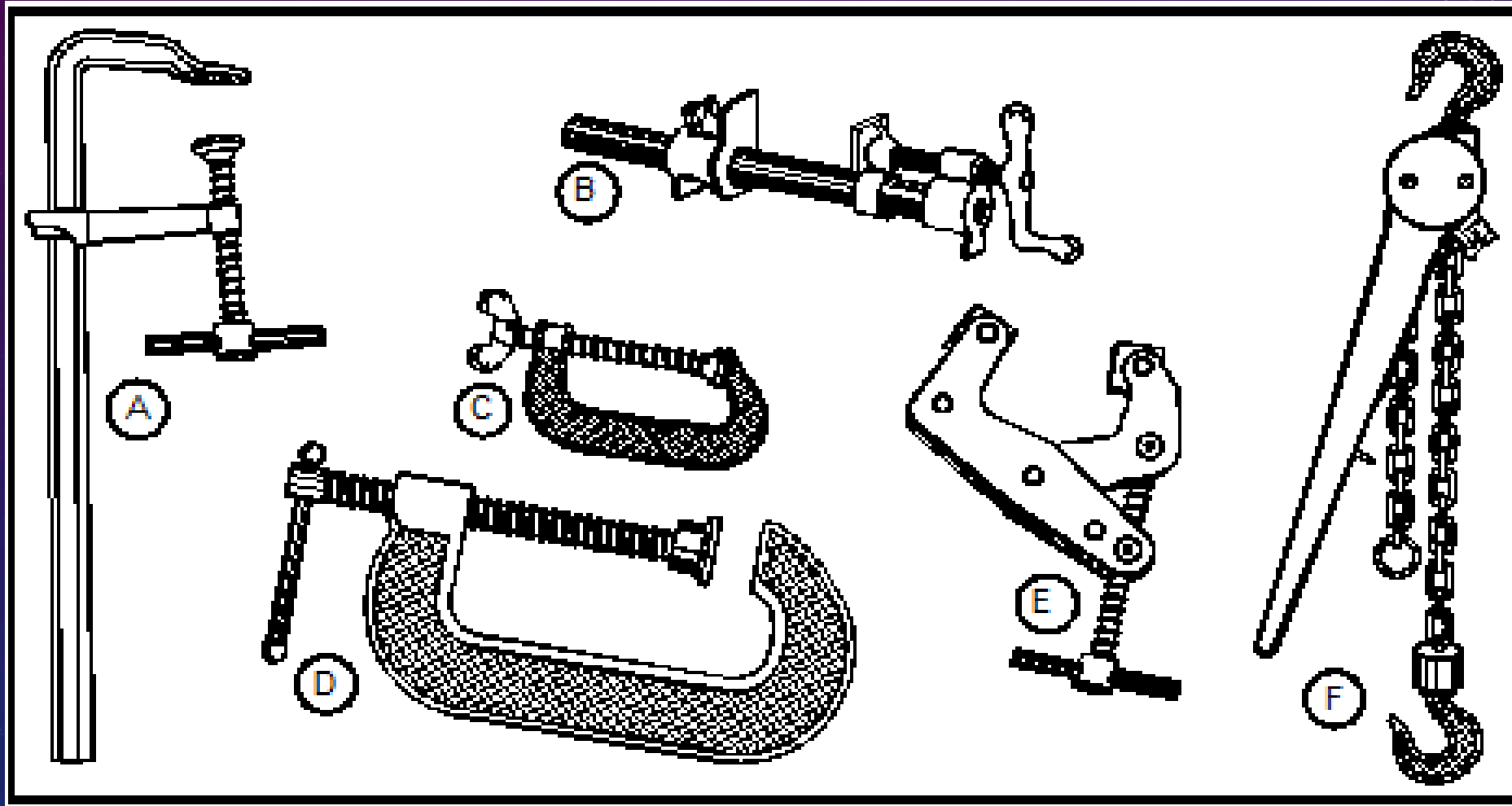


Welding Tools Stainless Steels

TRUSOXIN



WELDING EQUIPMENT SUPORT



WELDING EQUIPMENT SUPORT

